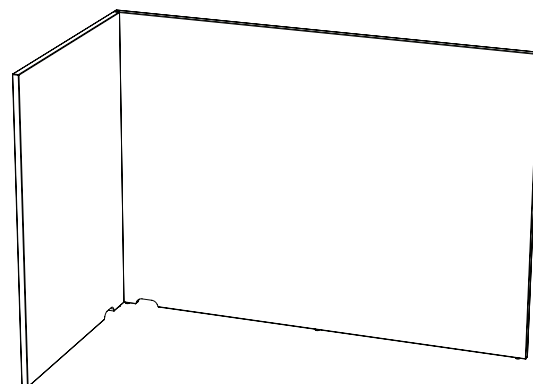
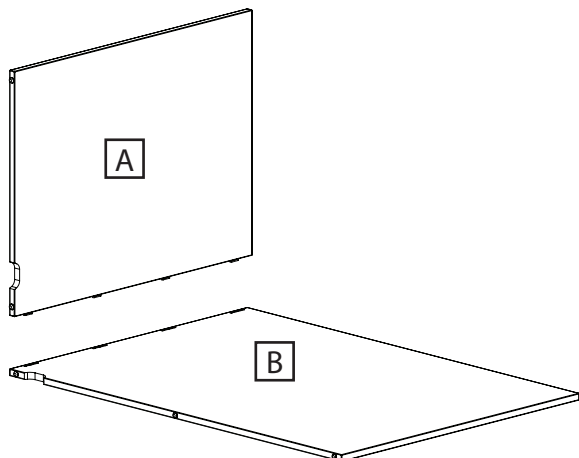
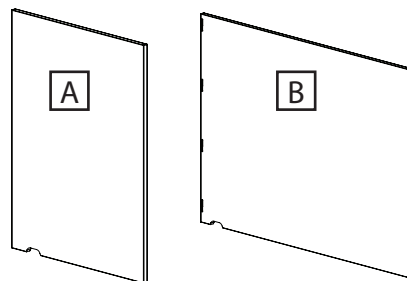


### STEP 1

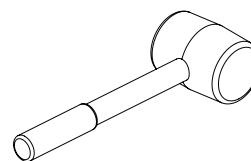
Lay back flat on clean surface. Lower end gable on to back. Ensure lockdowels align with slots. Use rubber mallet to tap the end gable from the top down in place. When secured lift fort station right side up. Ensure all sides are supported when lifting. Two people are required for this step.



### PARTS INCLUDED



### TOOLS RECOMMENDED



Rubber mallet

### DISCLAIMERS

- Two people are recommended for the assembly of this product.
- Use hardware provided and tools recommended to avoid any product faults.
- Always assemble product on a clean surface to avoid scratching.

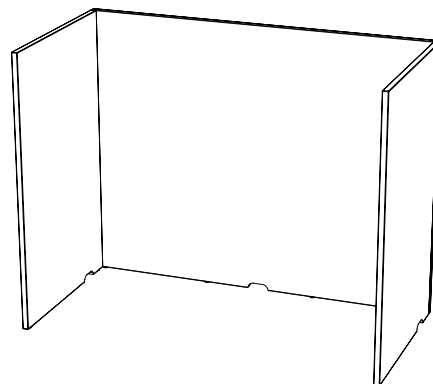
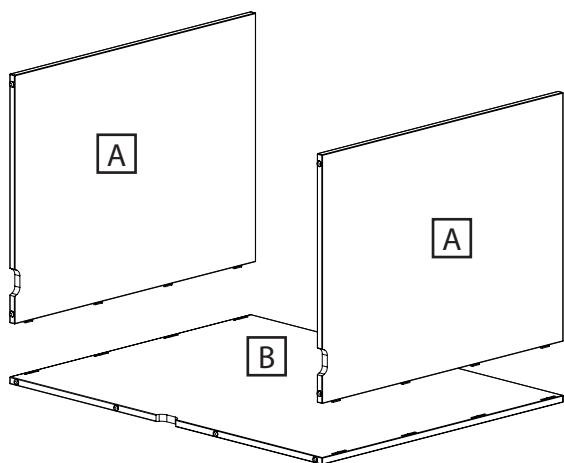
**Thank you for your order!**

For questions or concerns regarding product or installation please contact us  
at 519-451-4118 or via email at [hello@harmonyspaces.ca](mailto:hello@harmonyspaces.ca)

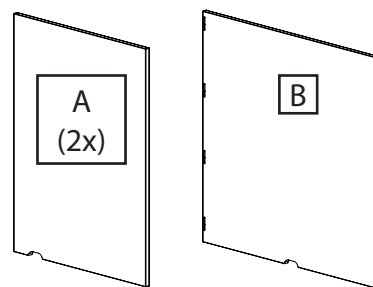
Creating peaceful spaces in **HARMONY**

### STEP 1

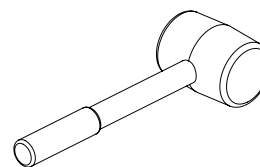
Lay back flat on clean surface. Lower end gables on to back. Ensure lockdowels align with slots. Use rubber mallet to tap the end gables from the top down in place. When secured lift fort station right side up. Ensure all sides are supported when lifting. Two people are required for this step.



### PARTS INCLUDED



### TOOLS RECOMMENDED



Rubber mallet

### DISCLAIMERS

- Two people are recommended for the assembly of this product.
- Use hardware provided and tools recommended to avoid any product faults.
- Always assemble product on a clean surface to avoid scratching.

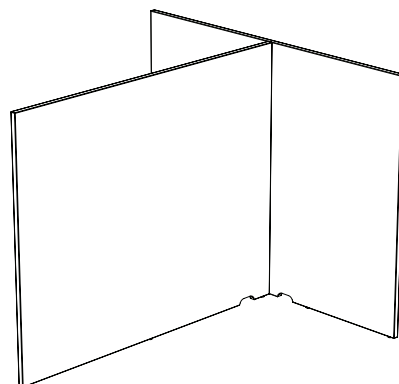
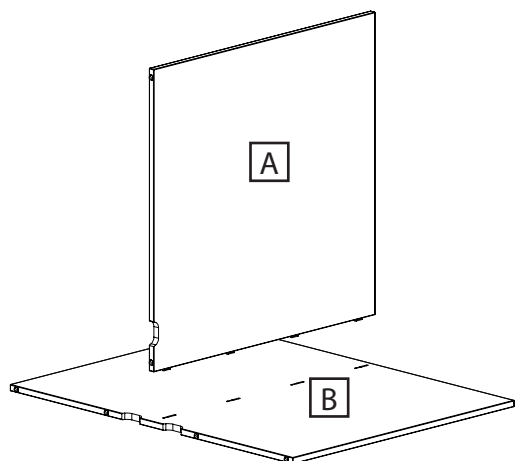
**Thank you for your order!**

For questions or concerns regarding product or installation please contact us at 519-451-4118 or via email at [hello@harmonyspaces.ca](mailto:hello@harmonyspaces.ca)

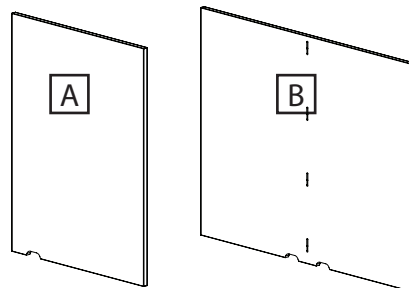
Creating peaceful spaces in **HARMONY**

### STEP 1

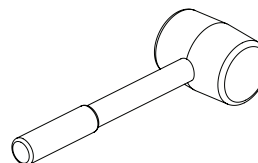
Lay end gable flat on clean surface. Lower back on to end gable. Ensure lockdowels align with slots. Use rubber mallet to tap the back from the top down in place. When secured lift fort station right side up. Ensure all sides are supported when lifting. Two people are required for this step.



### PARTS INCLUDED



### TOOLS RECOMMENDED



Rubber mallet

### DISCLAIMERS

- Two people are recommended for the assembly of this product.
- Use hardware provided and tools recommended to avoid any product faults.
- Always assemble product on a clean surface to avoid scratching.

**Thank you for your order!**

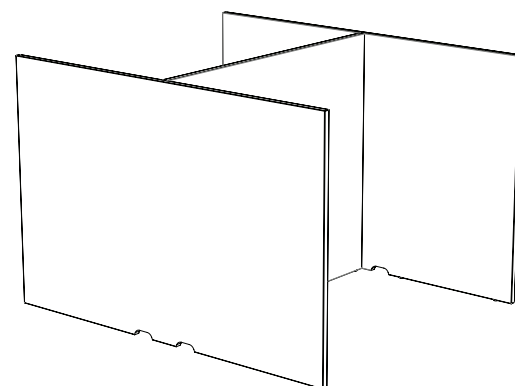
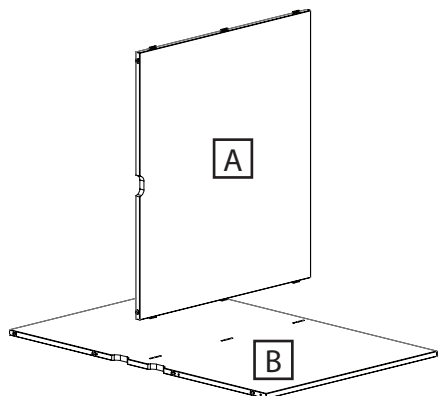
For questions or concerns regarding product or installation please contact us at 519-451-4118 or via email at [hello@harmonyspaces.ca](mailto:hello@harmonyspaces.ca)

Creating peaceful spaces in **HARMONY**

### H-SHAPE ASSEMBLY

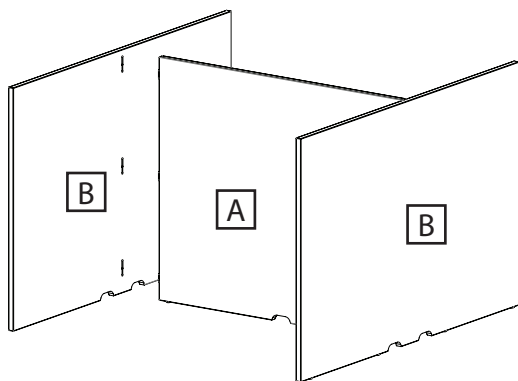
#### STEP 1

Lay end gable flat on clean surface. Lower back on to end gable. Ensure lockdowels align with slots. Use rubber mallet to tap the back from the top down in place. When secured lift fort station right side up. Ensure all sides are supported when lifting. Two people are required for this step.

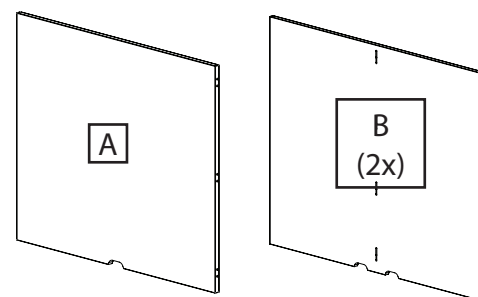


#### STEP 2

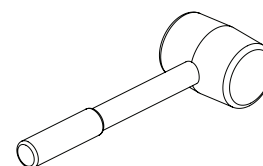
With unit right side up, lift up second end gable and align lockdowels with slots. Use rubber mallet to tap the end from the top down in place.



#### PARTS INCLUDED



#### TOOLS RECOMMENDED



Rubber mallet

#### DISCLAIMERS

- Two people are recommended for the assembly of this product.
- Use hardware provided and tools recommended to avoid any product faults.
- Always assemble product on a clean surface to avoid scratching.

**Thank you for your order!**

For questions or concerns regarding product or installation please contact us at 519-451-4118 or via email at [hello@harmonyspaces.ca](mailto:hello@harmonyspaces.ca)

Creating peaceful spaces in **HARMONY**