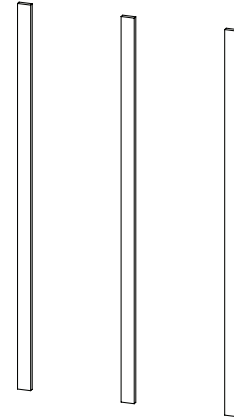


The following guide contains recommendations regarding the application of “stand-offs” on Motif and Groovy wall panels however this is not a step-by-step procedure.



### TOOLS RECOMMENDED

1” HARMONY supplied double-sided tape (or equivalent)  
Brayer style rubber roller  
Construction adhesive  
Plumb chalk line  
Customer provided hardware

Stand-off material  
Exacto knife or scissors  
Level  
Pencil or masking tape

### DISCLAIMERS

- HARMONY panels are semi-rigid products that require care when handling to prevent bending, creasing or damage.
- To minimize wrinkling, tape should be burnished from the center of its length outward to the ends of the tape.
- Refer to HARMONY Tape Application Guide for installation instructions.
- Refer to HARMONY Groovy Panel Guide and Motif Panel Guide for installation instructions.

**Panel Position:** To ensure correct positioning and alignment complete a trial fit of the wall panel using a level and small pieces of double sided tape. For multiple panel installations the correct pattern orientation of each panel must be determined before proceeding with the installation. Use of a plumb chalk line is recommended to ensure correct alignment when multiple panels are installed on the same wall. Once satisfied, the position of the panel(s) is marked with a fine pencil line or masking tape.

**Thank you for your order!**

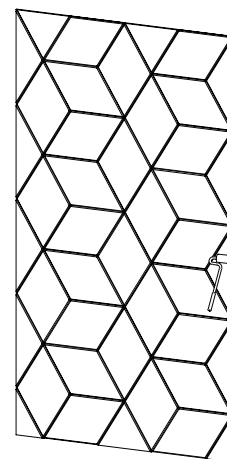
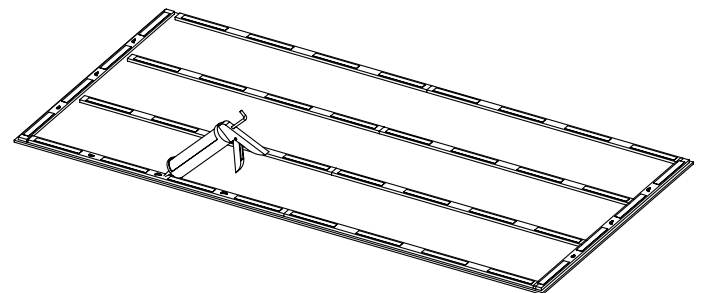
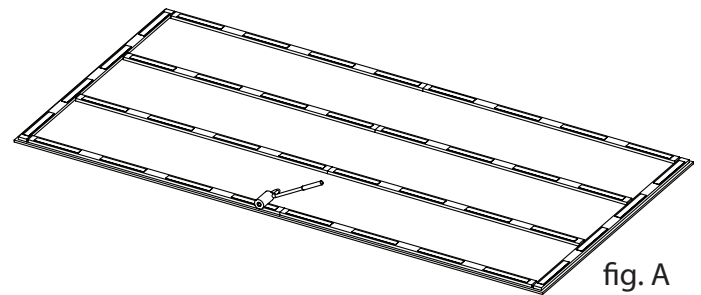
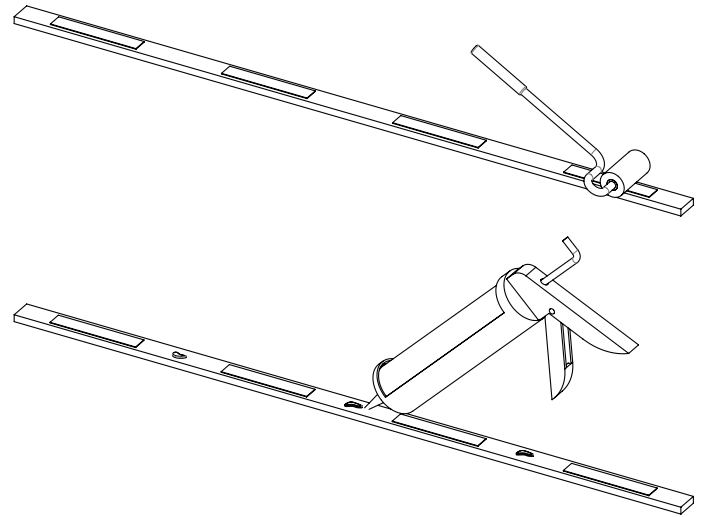
For questions or concerns regarding product or installation please contact us  
at 519-451-4118 or via email at [hello@harmonyspaces.ca](mailto:hello@harmonyspaces.ca)

Creating peaceful spaces in HARMONY

### METHOD 1

#### Application with Double-Sided Tape and Construction Adhesive on Motif and Groovy Panel

1. Cut stand-off material into lengths necessary to complete a perimeter approximately 12mm (½") from the edge of the panel. Cut additional strips spaced vertically 381mm (15") apart. See fig. A.
2. Apply 150mm (6") strips of double sided tape every 150mm (6") to both sides of the stand-off material.
3. With even pressure burnish the double sided tape to both sides of each stand-off
4. Remove the paper backing from one side of each stand-off and apply a light beads of construction adhesive in the center of the remaining length of each stand-off.
5. Apply each stand-off per fig. A and with even pressure burnish the stand-off to the panel using a rubber roller.
6. Remove the other paper backing from each stand-off, apply light beads of construction adhesive in the center of the remaining length of each stand-off, and apply the panel to the substrate.
7. With even pressure burnish the panel to the substrate using a rubber roller.



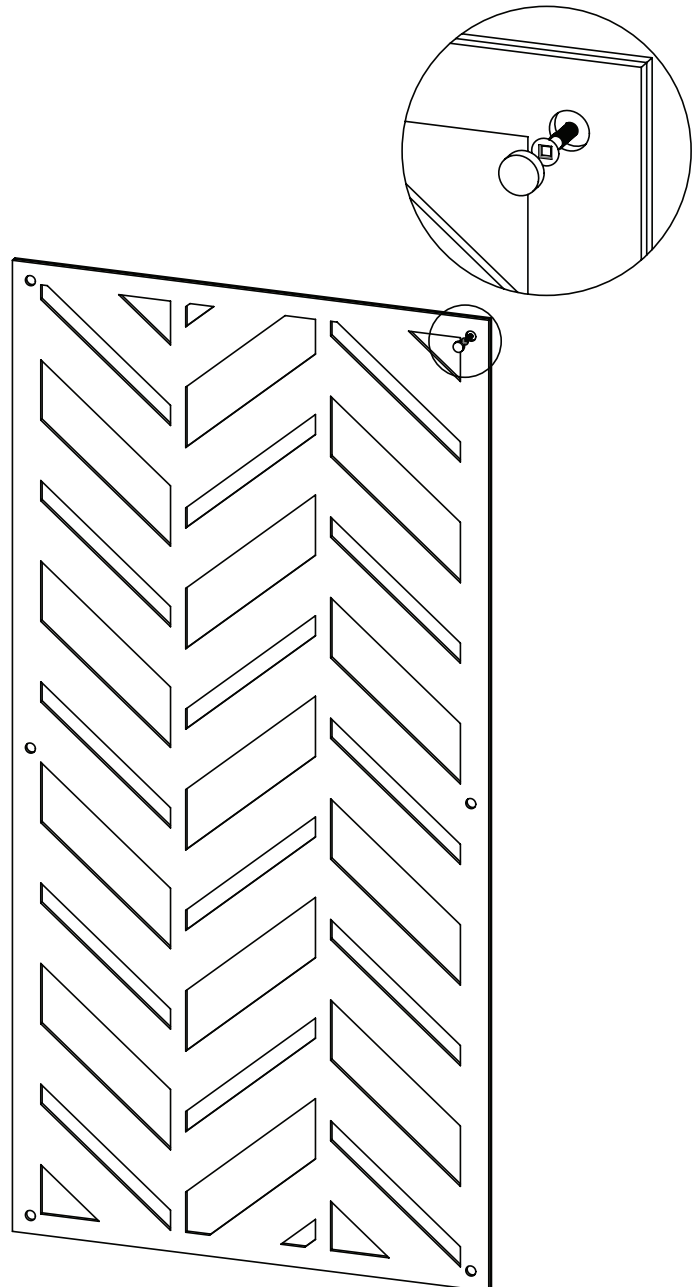
**CAUTION:** When burnishing the panel to the substrate extra care is required to ensure pressure is applied only to those areas of the panel where stand-offs have been installed.

### METHOD 2

#### Application with Double-Sided Tape and Screws for Motif Panels

**NOTE:** Motif panels have 6 pre-cut plugs in the top panel. When applying the 2 vertical perimeter stand-offs care is required to ensure these stand-offs are centered under the plug holes. Failure to do so may result in damage to the panel during hardware installation per step 8.

1. Complete STEPS 1 through 5 of Method 1.
6. Remove the other paper backing from each stand-off and apply the panel to the substrate.
7. Remove and retain the 6 pre-cut plugs in the top panel.
8. Using customer provided hardware, secure the bottom panel through the 2 vertical perimeter stand-offs to the substrate through the 6 access holes
9. Reinstall the 6 pre-cut plugs back into the top panel.



**CAUTION:** When burnishing the panel to the substrate extra care is required to ensure pressure is applied only to those areas of the panel where stand-offs have been installed.