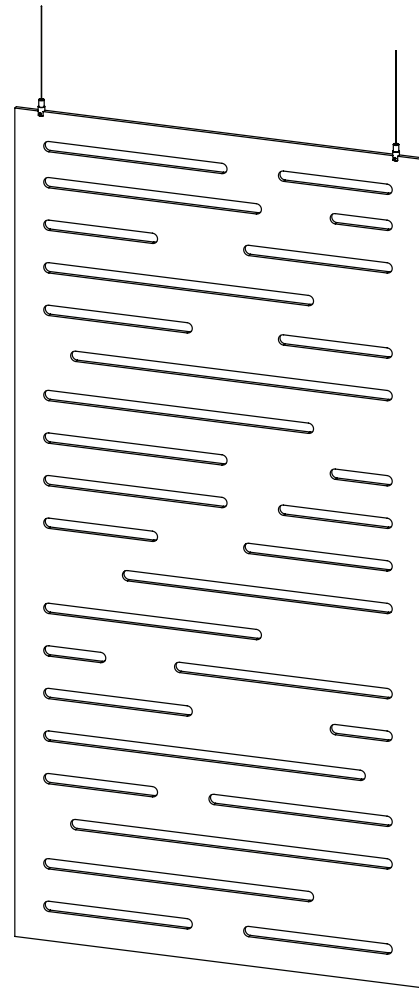


This guide contains recommendations regarding the installation of HARMONY 'Vicinity Screen' however this is not a step-by-step procedure.



TOOLS/HARDWARE RECOMMENDED

1/16" cable
Cable cutter
Panel clamp
Level
Electric drill
5/32" drill bit

DISCLAIMERS

- HARMONY does not accept responsibility for installation and recommends the installation be completed by experienced and professional trades-persons.
- Due to the size of the product Harmony recommends a 2 person installation.
- Harmony panels are semi-rigid products that require care when handling to prevent damage.
- Refer to the Harmony Hardware Guide for substrate installations.

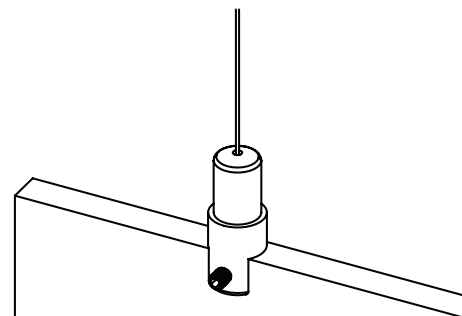
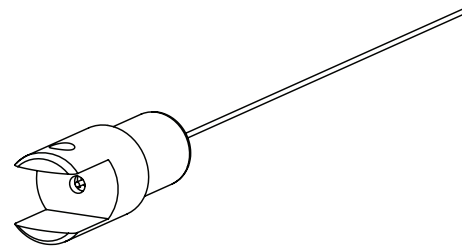
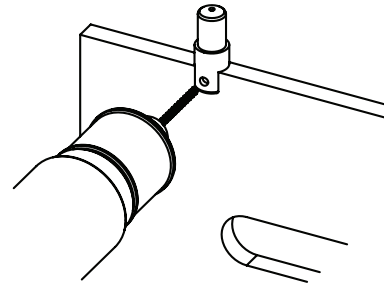
Thank you for your order!

For questions or concerns regarding product or installation please contact us
at 519-451-4118 or via email at hello@harmonyspaces.ca

Creating peaceful spaces in **HARMONY**

CEILING INSTALLATION

1. Review the panel and determine the location for the installation of the panel or gripper clamps to provide the best support for the panel (minimum 2" from edge of the panel).
2. Determine the correct location for installation and hardware needed to secure the panel to the overhead substrate. (See Harmony Hardware Guide)
3. Remove the large set screw from panel clamps and position the clamps on the panel.
4. Using an electric drill and 5/32 drill bit, drill through the set screw hole and through the Harmony panel.
5. Remove the clamps and insert cables into the panel clamps.
 - a. Cable length must be long enough to span the distance between the desired height of the panel and upper substrate when installed.
 - b. Insert cable into the small end of the gripper and through the gripper until the cable protrudes through the hole on the side of the clamp.
6. Position clamps to the top of the panel, reinstall and securely tighten the large set screw into each clamp, through the previously drilled hole in the panel until the set screw tightens. **Note:** For optimum durability it is essential the set screw passes completely through the panel.
7. Attach cable hardware to the overhead substrate. (See Harmony Hardware Guide)
8. Support the panel in its final position and install cables to the upper substrate fastener.
9. Set the panel to its correct height and level by adjusting the cable length at the ceiling.
10. Trim off excess cable.



FLOOR INSTALLATION (OPTIONAL)

1. The lower panel clamps should be equal distance from the edges.
2. For ease of assembly the lower clamps should be installed on the panel at the same time as the upper clamps, using the same procedures (steps 3 to 6) before the panel is installed.
3. Complete the panel ceiling installation.
4. Install the floor surface mount(s) to the floor. (See Hardware Guide, method 2)
5. Insert cables into the floor Surface Mounts and tighten as required to eliminate panel side movement.
6. To prevent foot injury, trim off excess cable as close to the Surface Mount as possible.

