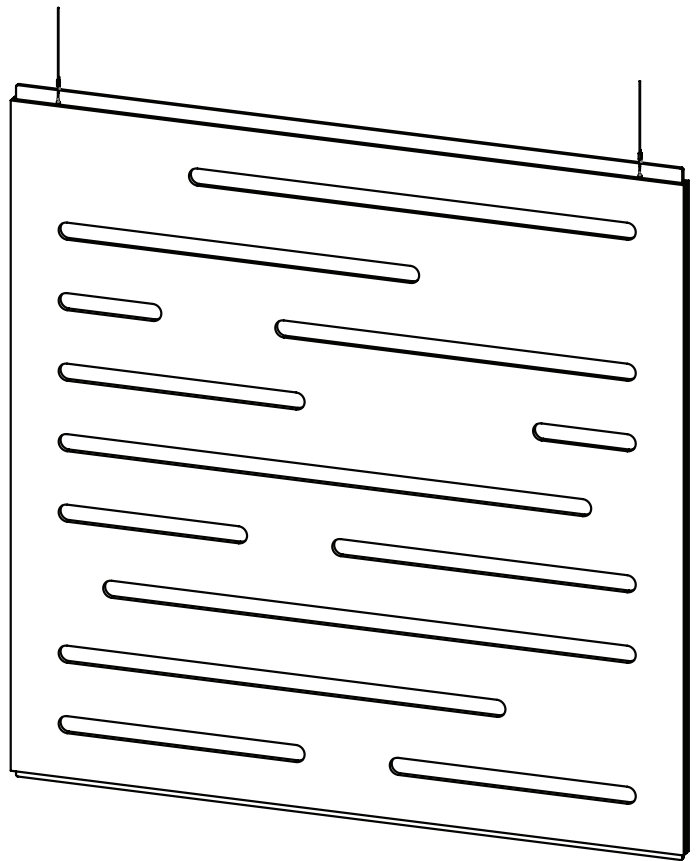


This guide contains recommendations regarding the installation of HARMONY 'District Screen' however this is not a step-by-step procedure.

TOOLS/HARDWARE RECOMMENDED

1/16" cable
Cable cutter
Cable crimper tool
1/16" aluminum sleeves
Level
Applicable ceiling hardware



DISCLAIMERS

- HARMONY does not accept responsibility for installation and recommends the installation be completed by experienced and professional trades-persons.
- Due to the size of the product Harmony recommends a 2 person installation.
- Harmony panels are semi-rigid products that require care when handling to prevent damage.
- Refer to the Harmony Hardware Guide for substrate installations.
- **CAUTION:** Due to weight the use of magnets or "T" bar clips is not permitted for this installation.

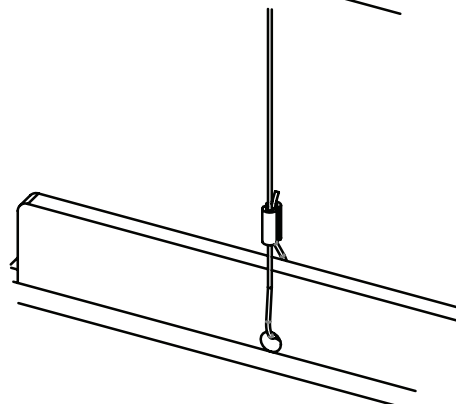
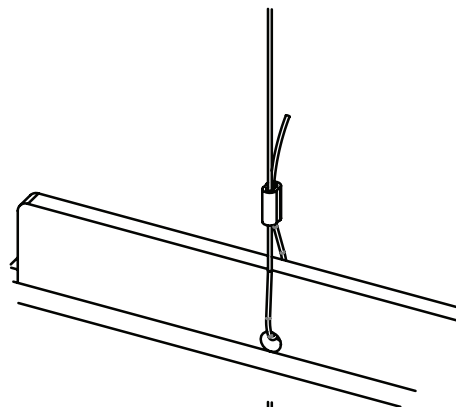
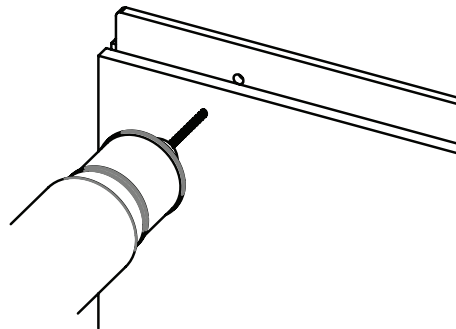
Thank you for your order!

For questions or concerns regarding product or installation please contact us
at 519-451-4118 or via email at hello@harmonyspaces.ca

Creating peaceful spaces in **HARMONY**

CEILING INSTALLATION

1. Determine the correct location for installation and hardware needed to secure the panel to the overhead substrate. (See Harmony Hardware Guide)
2. The acrylic panel extends 1" above the top of the acoustic covering to provide the installer flexibility aligning the suspension cables with the overhead structure.
3. Determine the correct location for attachment of the 2 suspension cables. (minimum 2" from each edge)
4. Drill a 1/8" hole through the acrylic panel in line with the top of the acoustic covering.
5. Determine the length of cable needed to suspend the panel at the desired height plus additional cable needed to secure the cable to the panel and overhead structure.
6. Thread one end the cable through the aluminum sleeve, through the hole in the acrylic panel, and back through the aluminum sleeve.
7. Draw the aluminum sleeve as close to the acrylic panel as possible, crimp the sleeve, and cut off excess cable.
8. Attach hardware to the overhead substrate. (See Harmony Hardware Guide)
9. Support the panel in its final position and install cables to the upper substrate hardware.
10. Set the panel to its correct height and level by adjusting the cable length at the ceiling.
11. Trim off excess cable.



FLOOR INSTALLATION (OPTIONAL)

1. The acrylic panel extends 1/2" below the bottom of the acoustic covering on full length panels.
2. The lower cables should be equal distance from the edge. (minimum 2")
3. For ease of assembly the lower cables should be installed at the same time as the upper cables using the same procedures (steps 4 to 7) before the panel is installed.
4. Complete the ceiling installation.
5. Install surface mount(s) to the floor. (See Hardware Guide, method 2)
6. Insert cables into the Surface Mounts and tighten as required to eliminate panel side movement.
7. To prevent foot injury, trim off excess cable as close to the Surface Mount as possible.

