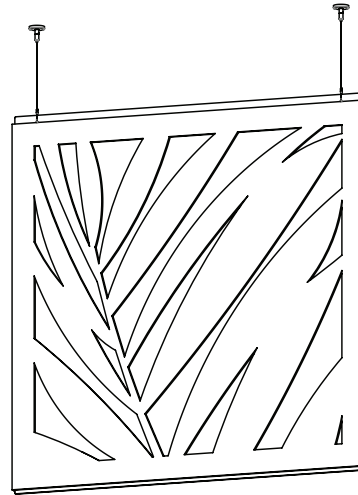


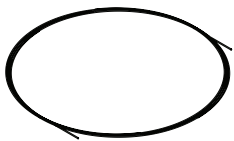
There are a variety of methods by which Harmony acoustic products can be affixed to a substrate surface depending on the composition and strength of the substrate. The following guide is provided regarding the correct installation of Harmony acoustic products however this is not a step-by-step procedure.



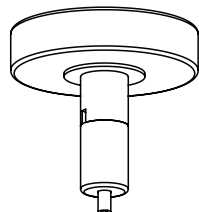
DISCLAIMERS

- Harmony does not accept responsibility for the installation of Harmony acoustic products.
- Harmony acoustic products should be installed by experienced and professional trades-persons.
- It is the responsibility of the installer to ensure hardware is properly and securely installed to a sound substrate.

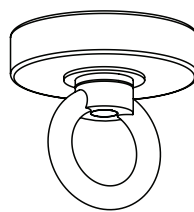
HARDWARE



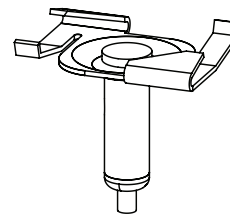
1/16" Cable



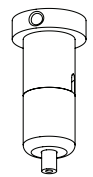
Gripper
Magnet



Eye Magnet



"T" Bar Gripper



Surface
Mount



Cable Lock



1/16"
Aluminum
Sleeve

Thank you for your order!

For questions or concerns regarding product or installation please contact us at 519-451-4118 or via email at hello@harmonyspaces.ca

Creating peaceful spaces in **HARMONY**

METHOD 1: Magnets (for use with metal substrates)

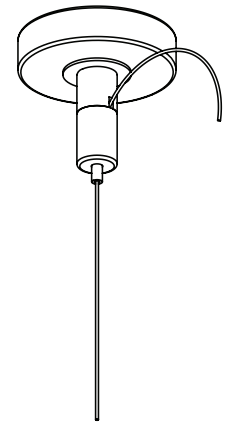
Hardware & Tools Required:	Gripper or Eye Magnet(s)	Cable Lock(s)
	1/16" Cable	Cable Cutter

CAUTION: The holding capacity of a magnet is directly affected by the metallic substrate to which it is affixed. If the substrate is less than 6mm (1/4") thick, is painted, not flat, or does not cover the entire magnet surface the holding capacity of the magnet is reduced.

- The substrate surface must be clean and any painted surfaces must be scuffed to reveal a clean metal surface.
- Determine the location of each magnet and overall length of cable required in accordance with the Harmony installation instruction for the product being installed.
- Position each magnet and conduct a pull test to ensure each magnet is appropriately affixed to the substrate.

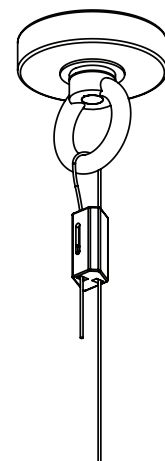
Option A Gripper Magnets

- Install gripper magnets on the substrate
- Thread a minimum of 150mm (6") of cable into and through the gripper magnet
- Cable length can be increased by pushing the tip of the gripper and pulling back through the gripper
- Cable length can be shortened by pulling more cable through the gripper



Option B Eye Magnets

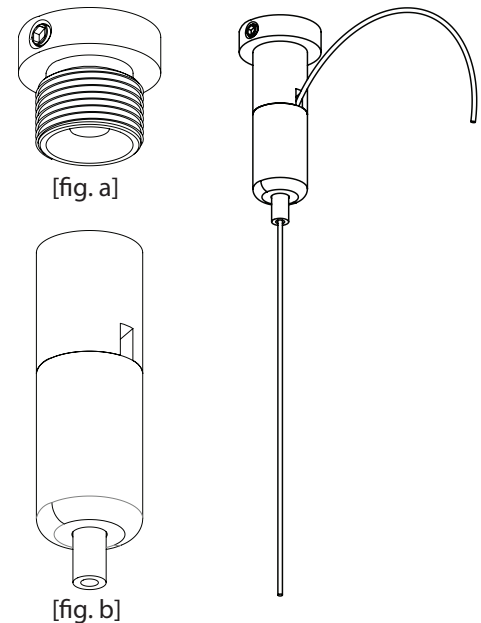
- Install eye magnets onto the substrate
- Thread a minimum of 230mm (9") of cable into and through one hole in the cable lock. Pull on the cable to ensure the cable is locked in position. If not push the side pin to release the cable and insert the cable in the other end of the cable lock.
- Thread the cable through the eye of the magnet
- Thread a minimum of 150mm (6") of cable into and through the other hole in the cable lock.
- Adjustments in cable length are made by releasing the pins on the side of the cable lock.



METHOD 2: Surface Mount (for use with all solid substrates)

Hardware & Tools Required:	Surface Mount	1/16" Cable
	Customer supplied fasteners	Cable Cutter
	Electric Drill	Screwdriver(s)

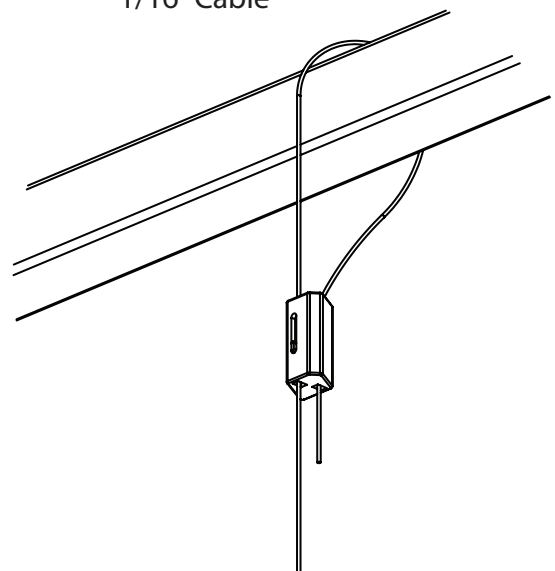
- Determine the location for each surface mount and overall length of cable required for the installation accordance with the Harmony installation instruction for the product being installed
- Unscrew and secure the threaded base [fig. a] to the substrate using customer supplied hardware (screw/ toggle bolt etc.)
- Thread the threaded cable gripper [fig. b] firmly onto the threaded base
- Thread a minimum of 150mm (6") cable into and through the cable gripper
- Cable length can be increased by pushing the tip of the gripper and pulling back on the cable
- Cable length can be shortened by pulling more cable through the gripper



METHOD 3: Cable Lock (for use with exposed overhead structures)

Hardware & Tools Required:	Cable Lock(s)	1/16" Cable
	Cable Cutter	

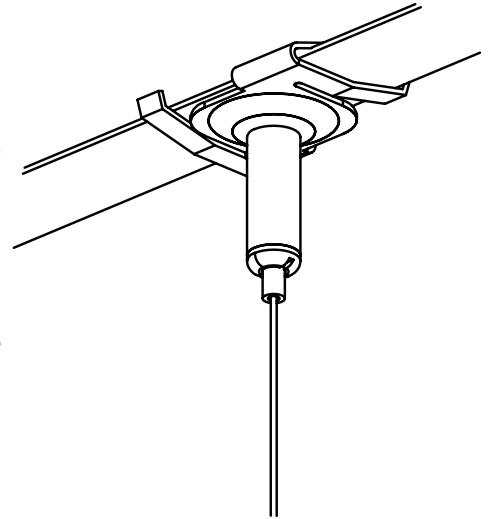
- Determine the location for and overall length of cable required for the installation in accordance with the Harmony installation instruction for the product being installed.
- Thread enough cable into and through one hole in the cable lock, go around or through the structure and back through the other hole in the cable lock.
- Cable length can be increased or decreased by sliding one of the pins on the cable lock to release the cable and pulling the cable through the cable lock
- After installation trim off excess cable.



METHOD 4: "T" Bar Gripper (for use with suspended ceiling tracks)

Hardware & Tools Required: T-Bar Gripper(s) 1/16" Cable
Cable Cutter Suspended Ceiling Support Wire(s)

- Determine the location for each clip
- It is important to ensure the suspended ceiling is properly installed and capable of supporting the weight of the Harmony product. If not, additional suspended ceiling support wires may be required.
- Position the clips on the ceiling track and turn clockwise until the lock tabs lock on the track
- Thread a minimum of 150mm (6") of cable into and through the gripper
- Adjustments in cable length can be made by pushing the tip of the gripper and inserting or pulling cable through the gripper



METHOD 5: Aluminum Sleeve (for use with 1/16" cable)

Hardware & Tools Required: 1/16" Cable 1/16" Aluminum Sleeve(s)
Cable Cutter Cable Crimper

- Crimping is a method of securing cable with a permanently applied fitting or sleeve. This process can be used to create a loop in the cable over a substrate frame or use with other Harmony hardware.
- Determine the location for and overall length of cable required for the installation.
- Trim the end of the cable to remove any frayed material
- Slip one end of the cable through the sleeve and loop the cable over the substrate or applicable Harmony hardware.
- Slip the same end of the cable back through the sleeve
- Place the sleeve in the 1/16" jaw of the cable crimper approximately 1" of cable protruding from the sleeve.
- Squeeze the handles of the crimper together.
- Trim off excess cable.

