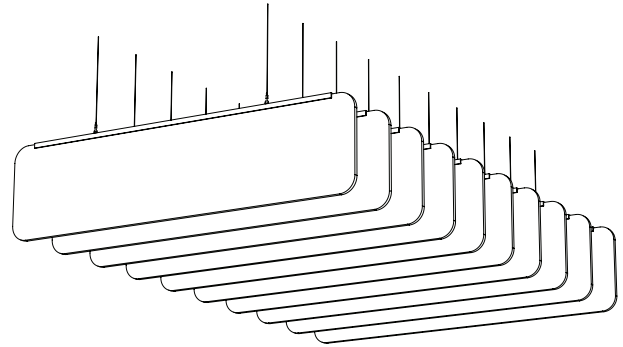


This guide contains recommendations regarding the installation of HARMONY 'Ceiling Baffles' however this is not a step-by-step procedure.



TOOLS/HARDWARE RECOMMENDED

Eye screws(s)	1/16" cable
1/16 aluminum cable sleeve(s)	T-bar grippers
Cable cutter	Cable crimping tool
Electric drill	5/64" drill bit
Level	Applicable ceiling hardware
Measuring tape	Harmony hardware

DISCLAIMERS

- HARMONY baffles require care when handling to prevent bending, creasing, damage or marking.
- Aluminum baffle trim is easily scratched or marked and must be handled with care.
- Damage to the baffle will occur if the aluminum trim is removed.
- It is recommended that two experienced people perform the installation of ceiling baffles.
- Depending on the overhead structure Harmony baffles can be secured using a surface mount, "T" bar clips, magnets, adjustable cable locks, securing cable to the structure itself , or multiples thereof.
- Refer to the Harmony Hardware Guide for substrate installations.

When completed, baffles must be aligned, equally spaced and level with each other.

Thank you for your order!

For questions or concerns regarding product or installation please contact us
at 519-451-4118 or via email at hello@harmonyspaces.ca

Creating peaceful spaces in **HARMONY**

INSTALLATION

1. Determine the correct location and means to secure the baffle to the overhead structure.
2. The baffle cable attach point is governed by aligning the overhead structure attach points with the baffle. Once determined it is essential the attach point for all baffles in the installation be consistent and aligned in accordance with the design pattern and no less than 3" from the end of the baffle aluminum strip
3. Measure and mark the 2 cables suspension points on the top of the baffle trim.
4. Drill a 5/64" hole in the center of the trim at each location and screw in a 1/8" x 1 5/8" eye screw so that only 1-2 threads remain visible.
5. Determine the length of cable needed to suspend the baffle at the correct height plus additional cable needed to secure the cable to the baffle eyes and overhead structure.
6. Thread one end of the cable through an aluminum sleeve, through the eye screw, and back through the aluminum sleeve.
7. Tighten the cable to draw the aluminum sleeve as close to the eye screw as possible, crimp the sleeve, and cut off excess cable.
8. Repeat steps 4 through 7 and install cabling to each eye screw.
9. Install the appropriate attachment to the overhead structure. (See Harmony Hardware Guide)
10. Lift each baffle into position and install cabling to the overhead attachment ensuring the correct colour and shape of each baffle is installed in accordance with the overall baffle design.
11. Adjust cable as required to the correct height and level.
12. Inspect the installation to ensure that all baffles and cabling is properly aligned.
13. Trim off excess cable from the top attach point.

