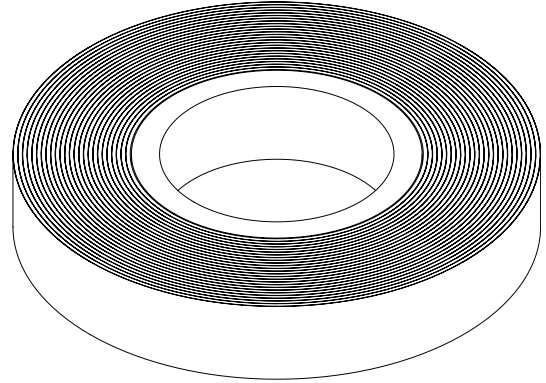


The following guide is provided regarding the correct application of double-sided tape when installing HARMONY products.

The incorrect or inadequate application of tape may result in an installation failure.

The installation of HARMONY products using tape is only intended for vertical surface applications.



### TOOLS RECOMMENDED

Brayer style rubber roller

Exacto knife or scissors

1" HARMONY supplied double-sided tape (or equivalent)

### DISCLAIMERS

- The inadequate use or use of inferior double-sided tape will effect the longevity of the installation.
- Substrates must be flat, clean, dry, in good condition, and free of cracks or voids.
- To ensure adequate adhesion, shiny substrates must be lightly sanded.
- Should a section of a double-sided tape require repositioning that section of tape must be replaced with new tape.
- To minimize wrinkling, tape should be burnished from the center of its length outward to the ends of the tape
- The colour between different panels may vary slightly due to the manufacturing process. HARMONY panels tend to have a smooth and a rough side. To compensate for slight variations in colour HARMONY recommends double-sided tape be applied to the rough side of tiles and panels.

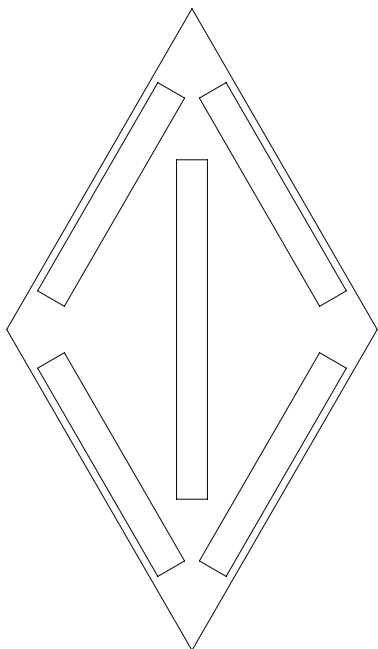
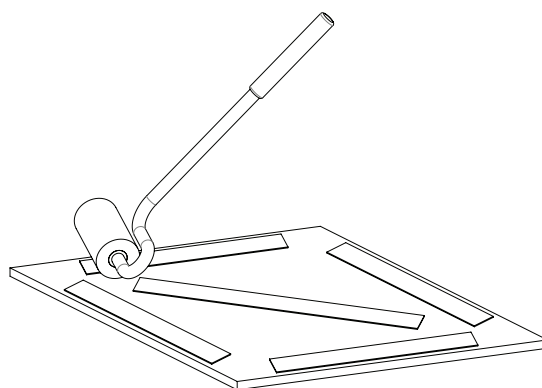
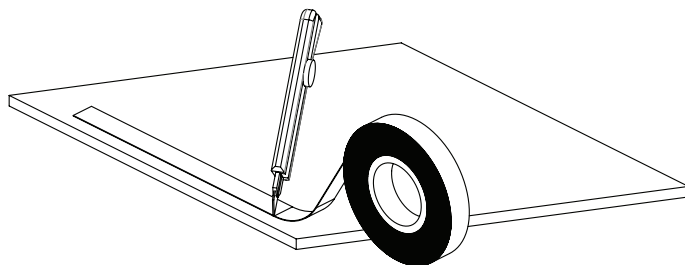
**Thank you for your order!**

For questions or concerns regarding product or installation please contact us at 519-451-4118 or via email at [hello@harmonyspaces.ca](mailto:hello@harmonyspaces.ca)

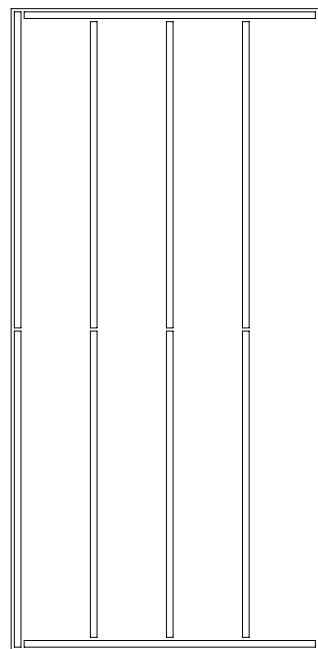
Creating peaceful spaces in **HARMONY**

### METHOD

- When applying double-sided tape care is required to not touch the sticky side of the tape as this will diminish the adhesion qualities of the tape.
- Remove one side of the tape paper backing and apply the tape to the back of the HARMONY product.
- Use scissors or a sharp blade to cut the tape to length.
- With even pressure burnish the tape to the tile or panel using a rubber roller.
- Remove the tape backing from the other side of the tape and apply HARMONY product to the substrate.
- With even pressure burnish the tile or panel to the substrate using a rubber roller.



Tape application on silhouette tile



Tape application on motif and groovy panel