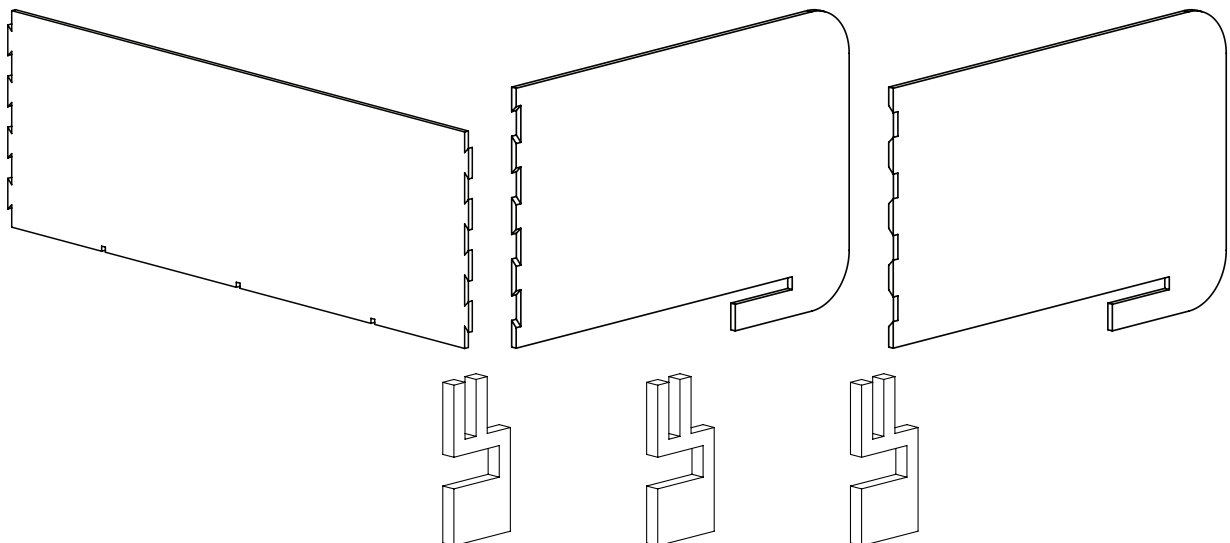


PARTS AND HARDWARE INCLUDED



Thank you for your order!

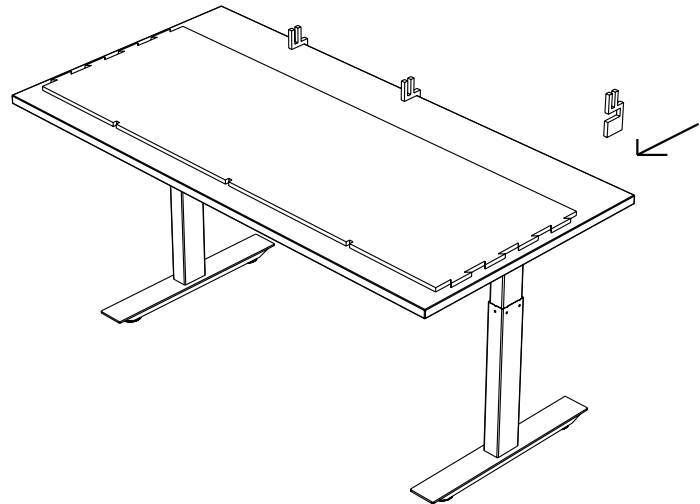
For questions or concerns regarding product or installation please contact us at 519-451-4118 or via email at hello@harmonyspaces.ca

Creating peaceful spaces in **HARMONY**

STEP 1

Place the end clips onto the rear edge of the desk with the small slots facing upwards.

Lay the back panel flat on the table with notches on the long edge facing the assembler.

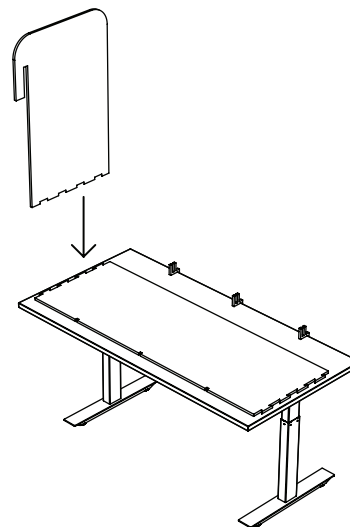


STEP 2

With the side panel arm facing upwards slide the left side panel notches into the back panel notches.

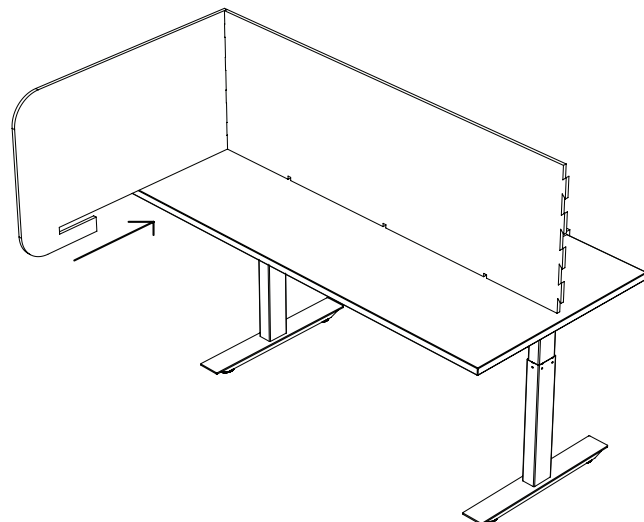
Note:

The left and right side panels are side specific identifiable by the double taper (shape) dovetail notches whereas the dovetails in the back panel have a single taper. Due to the difference in shape and slight interference fit only nominal force is required to smoothly fit the Study Carrel together during assembly.



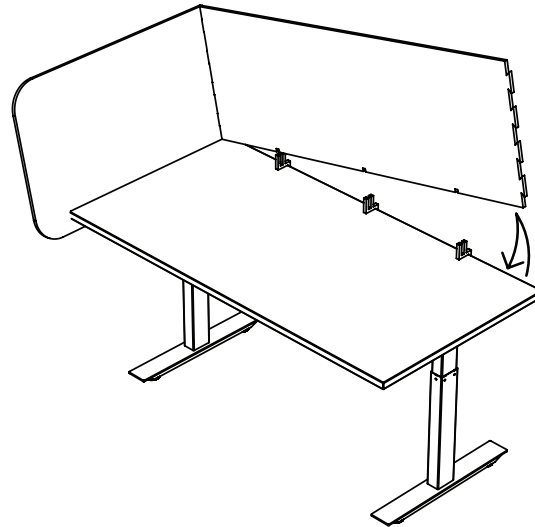
STEP 3

Lift the back and side panel assembly together into the vertical position and reposition the back panel to the rear of the desk while taking care to fit and align the left side panel arm under the desk.



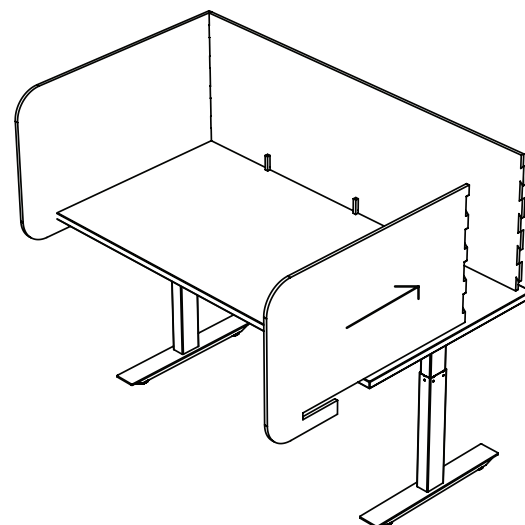
STEP 4

With the back panel at the rear of the desk tilt the right side of the back panel upwards, reposition and fit the end clips into the notches in the back panel while lowering the back panel onto the table.



STEP 5

Align and slide notches in the right side panel into the notches of the back panel while taking care to fit the lower right panel arm under the table.



STEP 6

Recheck and verify the back, left and right side panels, and end clips are securely fit together, the assembly sits flat on the desk and the study carrel is properly aligned with the top of the desk.

