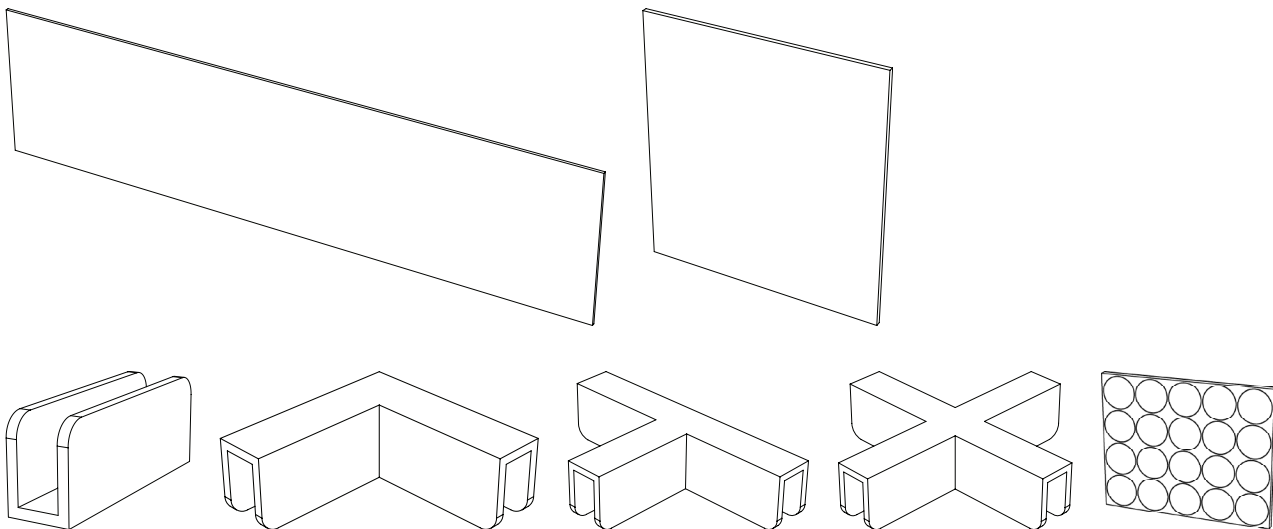


## PARTS AND HARDWARE INCLUDED



**Thank you for your order!**

For questions or concerns regarding product or installation please contact us  
at 519-451-4118 or via email at [hello@harmonyspaces.ca](mailto:hello@harmonyspaces.ca)

Creating peaceful spaces in HARMONY

Clear surface where panels will be placed of unnecessary debris or items that may get in the way of assembly.

Apply foam bumpers to bottom of brackets being placed on bottom of assembly.

Recommended number of foam bumpers per brackets is:

Cross connect: 4

T connect: 4

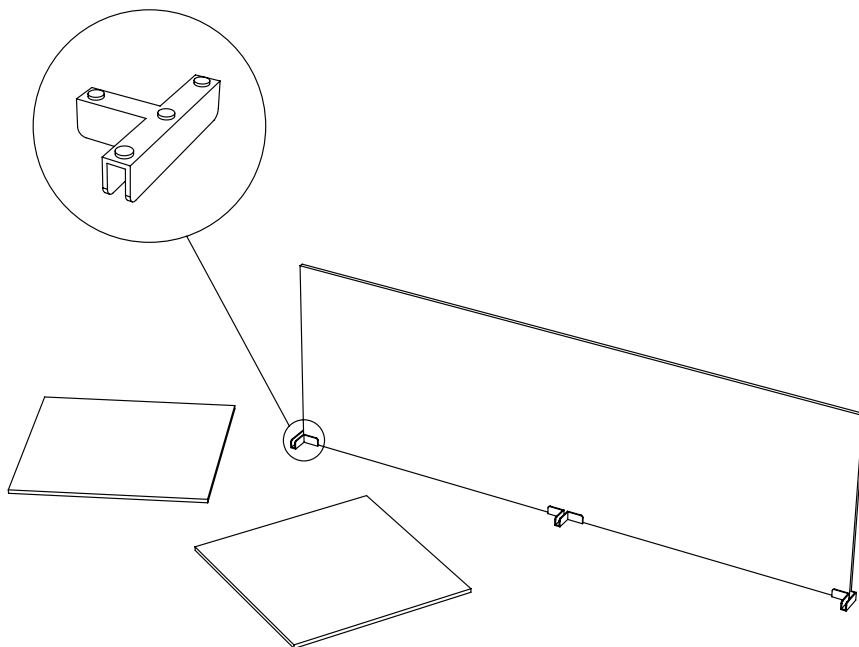
L connect: 3

Straight: 2

Layout brackets with foam bumpers and panels in desired configuration.

Begin assembling by attaching brackets to the bottom of the largest panel.

Note: The brackets are slightly smaller than the panel to ensure a snug fit. Please ensure the panel is sliding into the bracket properly to avoid damage.



Attach smaller panels to larger panel.

Slide top brackets onto configuration.

Once assembled, position unit on surface in desired location.

Enjoy your now harmonious space!

