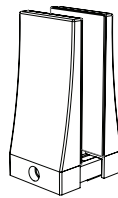
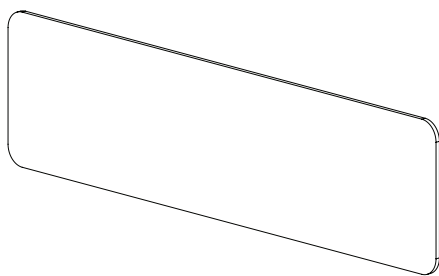


PARTS AND HARDWARE INCLUDED



2x



*4x

*Four lengths of bolts are provided per bracket to accommodate different panel thicknesses

TOOLS RECOMMENDED

#2 Robertson drill bit
Electric drill
Measuring tape

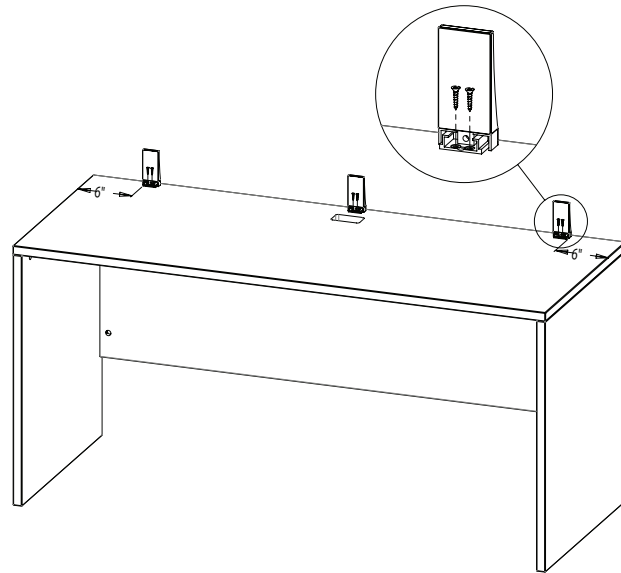
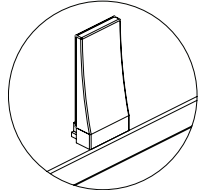
Thank you for your order!

For questions or concerns regarding product or installation please contact us at 519-451-4118 or via email at hello@harmonyspaces.ca

Creating peaceful spaces in **HARMONY**

STEP 1

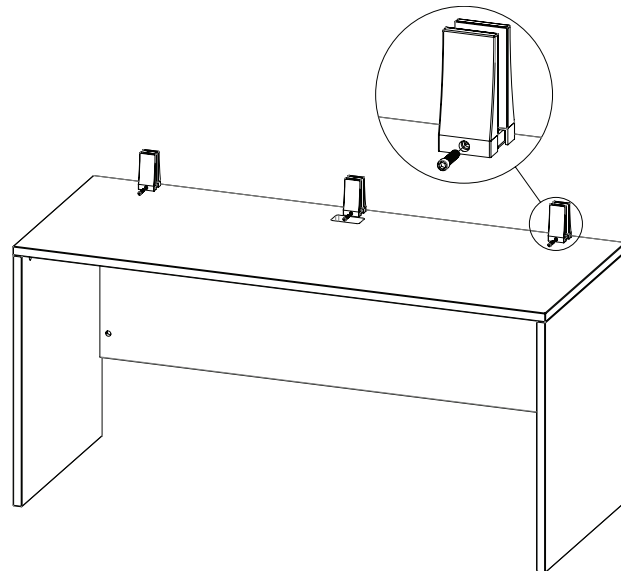
Use a measuring tape to determine mounting location of brackets from left and right side of desk as shown. It is recommended the brackets be mounted flush to the inside of the edge banding along the back. Screw down brackets onto desk with screws provided.



* Panels 48" or smaller are provided with 2 brackets*

STEP 2

Insert male side of bracket with female side. Place bolts provided as shown. Do not tighten bolts until panel has been placed between brackets.



STEP 3

Position panel in place. Tighten bolt on brackets with ball end allen key provided.

